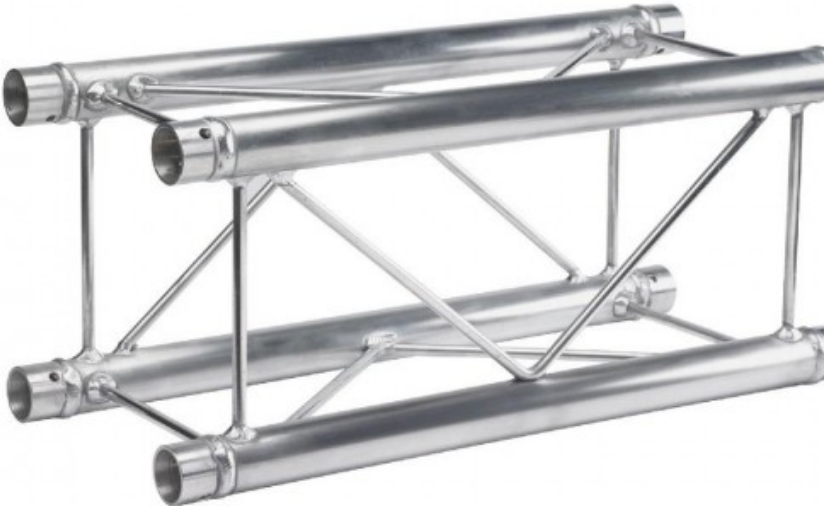


DECO22Q-PT100 CUADRADO 220mm. 1m CONTESTAGE

Reference: 109/H10219
EAN13: 3662009012940

Product description:



Product gallery:

