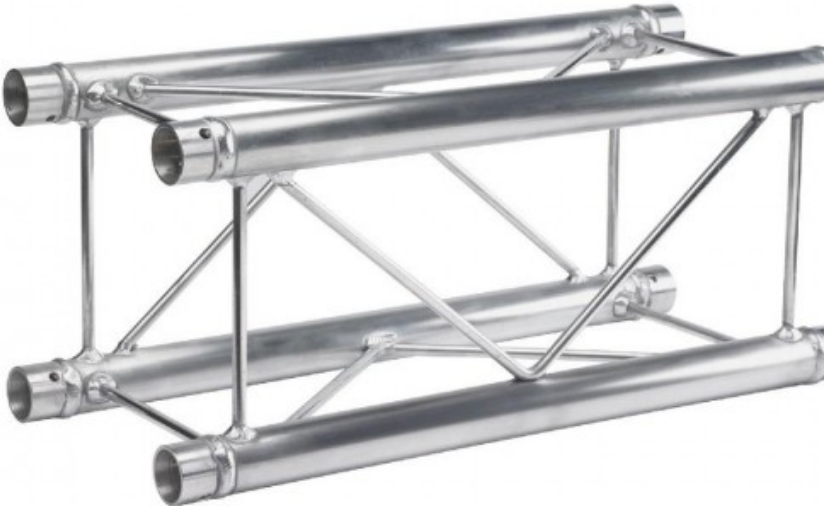


DECO22Q-PT200 CUADRADO 220mm 2m CONTESTAGE

Reference: 109/H10220  
EAN13: 3662009012957

Product description:



Product gallery:

