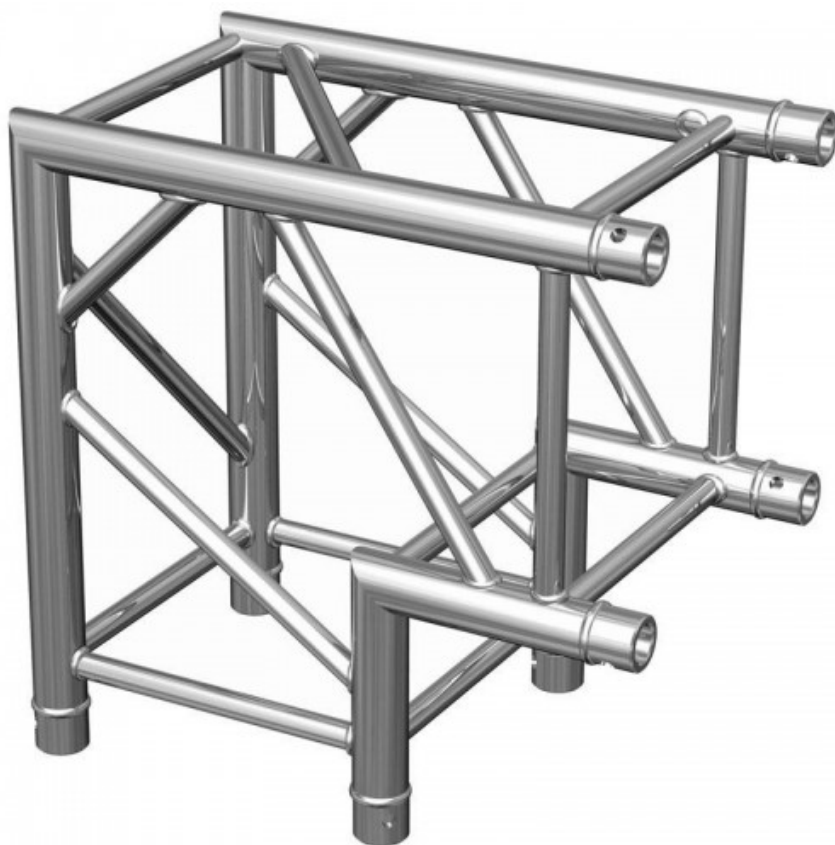


## AGQUA-02 ESQUINA 2 VÍAS 90° 29x29 CONTESTAGE

Reference: 109/H10054  
EAN13: 3662009011790

### Product description:



### Product gallery:

