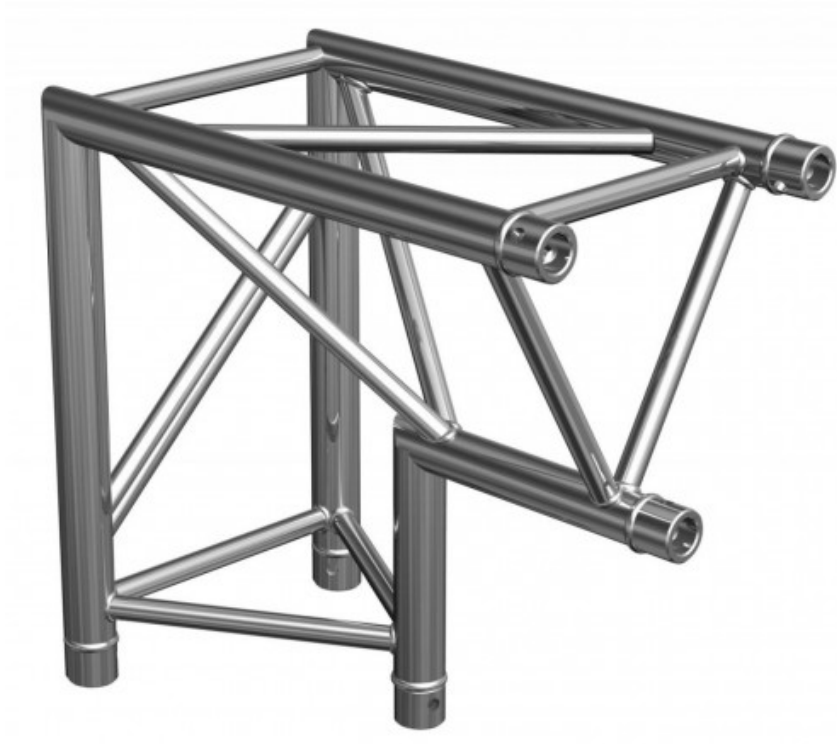


ESQUINA 2 VIAS VERTICAL TRUSS TRIANGULAR TRIO 290 90°
BRITEQ

Reference: 109/3611
EAN13: 5420025636117

Product description:



Product gallery:

